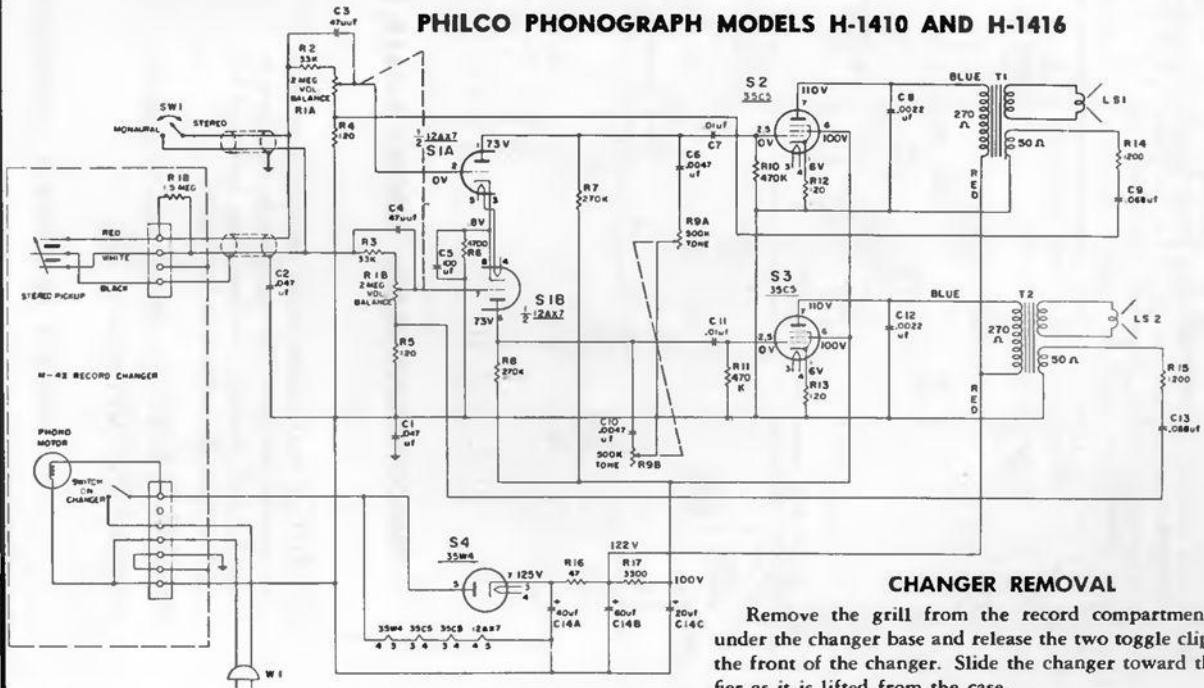


# PHILCO PHONOGRAPH MODELS H-1410 AND H-1416



## CHANGER REMOVAL

Remove the grill from the record compartment. Reach under the changer base and release the two toggle clips nearest the front of the changer. Slide the changer toward the amplifier as it is lifted from the case.